



Engine	Cummins QSF3.8
Rated Power	74 kW (99 hp / 101 ps) @ 2,200 rpm
Net Power	69 kW (92.5 hp / 94 ps) @ 2,200 rpm
Maximum Dig Depth	5,470 mm
Standard Bucket Capacity	0.55 m ³
Operating Weight	13,500 kg

913E EXCAVATOR

UNBEATABLE RETURN ON YOUR INVESTMENT

LiuGong's **customer-driven** design and **quality-focused** engineering creates lasting value that will deliver to your bottom line.

DEPENDABLE POWER

Unmatched performance driven by the Cummins QSF 3.8 Tier 3 / Stage IIIA Engine.

IPC (INTELLIGENT POWER CONTROL)

IPC ensures the mechanical, electrical and hydraulic systems work in perfect harmony for efficient and precise control. Maximizing torque output with more power and breakout force.

AUTO-IDLE SPEED FUNCTION

Hydraulic signals detect activity, decreasing and increasing engine speed as required. Power is supplied only as needed, achieving optimum fuel efficiency.

VERSATILITY

Options for auxiliary hydraulic piping include bi-directional variable high flow lines, an additional line for rotating attachments and also a single acting line. The quick coupler further ensures you get the most out of your machine by easily switching between a wide range of attachments to suit any application.



BOOM AND ARM

Boom and arm structures are designed for long-term durability and resistance to bending and torsional stress. Large cross-sectional areas incorporate one-piece steel castings to provide improved strength and standard rock guard plates and vertical guards further protect the arm in rocky conditions.

UNDERCARRIAGE

Outstanding stability and durability come from an X-type reinforced frame and the long track beam and crawler system.

REAR VIEW CAMERA

Like an extra eye outside the machine, the optional rear view camera sends images to the in-cab colour LCD monitor, creating a safer working environment as you concentrate on the work at hand.

PARTS

Using genuine LiuGong parts is key to keeping your costs low and your machine in top working order. Our extensive support network is always there when you need it, to maximize your business profitability.

AFTER SALES SERVICE

As a customer of LiuGong you can feel confident that our dealers and regional offices will be there to support you with training, service and maintenance needed throughout the life of your machine.

DESIGNED TO GET MORE DONE

The 915E is designed to **get more done** in less time, featuring a stronger boom, arm and bucket breakout force, greater hydraulic flow, higher swing speeds and improved cycle times. This excavator will power **through any task** in any terrain.

POWERFUL PERFORMANCE

The Cummins QSF 3.8 engine produces net power of 69 kW (92.5 hp) and torque of 470 N·m. LiuGong has harnessed this power for six working modes to the job at hand and even the least experienced operators will find they can work faster and complete more in less time.

OPTIMIZED HYDRAULICS

Where intelligence meets brute force, load-sensing hydraulics direct the engine's power to ensure hydraulic pump flow continually adjusts for smooth, quick and efficient operation.

OPERATOR FRIENDLY ENVIRONMENT

Ergonomically designed controls, clear and informative displays, increased visibility, and outstanding comfort increase operator efficiency and safety.



ENGINEERED FOR EFFICIENCY

LiuGong E series excavators deliver the **perfect balance** of performance, precision and quality. The 913E model is powered by the latest generation, low emission Cummins QSF 3.8 engine, with enhanced power output, **improved breakout force** and faster cycle times.

A POWERFUL ENGINE

Cummins QSF 3.8 engine meets strict US EPA Tier 3 / Stage IIIA emissions standards, delivering the greatest possible fuel economy without compromising on power.

Cummins designed integration system:

- Combustion technology
- EGR (Exhaust Gas Recirculation) system
- Latest after treatment technology.

Together increases engine performance, improves fuel economy while reducing exhaust emissions to US EPA standards.



SAFETY STANDARDS

LiuGong offers ROPS (Roll Over Protection System) and FOPS (Falling Object Protection System) as options meeting ISO safety standards on all E-Series excavators.



ALL AROUND VISION FEATURES

LiuGong E-Series cabs have seven percent larger glass surface area compared to our D-Series cab. Combined with standard rear view camera gives the operator a panoramic view. Optional LED work lights provides clearer line of sight on job sites.

ALL AROUND COMFORT

In the 913E cab, you are working in complete comfort with outstanding visibility all around. We understand how operators like to work and have designed the cab for **maximum comfort** and ultimate productivity.

AT HOME IN THE CAB

The E series cab is mounted on dampener silicone to absorb noise and vibration. Wide spacious cab door swings full open to lock position. Front windshield slides up into ceiling, removable lower window, large roof skylight with sun screen.



ADVANCED CLIMATE CONTROL

Pressurized cab, advanced climate control system and front windshield defrost allow all year around operating comfort in any environment. Air is circulating through cab by ten outlets to improve air circulation.

ADJUSTABLE SEAT AND JOYSTICK CONSOLE

The adjustable seat and joystick console move independently to accommodate the operator. Increased spacing between the armrest and nine different seat adjustments allow the operator more options to all foot and hand controls for maximum comfort.



ALWAYS STRONG ALWAYS RELIABLE

The use of thick, high-tensile steel components, internal baffling and stress-relieved plates, make the structures on LiuGong E-series excavators **tough and durable**.

We guarantee the **quality and reliability** of our machines throughout the manufacturing process by conducting stringent tests and ultrasound inspections that detect defects well before they make it into production.



BOOM & ARM

The boom and arm structures are designed with large cross-sectional supports and incorporate one-piece steel castings. This solid engineering guarantees long-term durability and high resistance to bending and torsional stress. Standard rock-guard plates and vertical guards protect the arm in rocky digging conditions and tough environments.



UNDERCARRIAGE

The high-strength undercarriage of the 915E incorporates a welded X-frame construction for long life durability and is designed to perform in the most challenging applications.

A long track beam and crawler system provides greater stability when using attachments for digging and truck loading. The result is outstanding strength and durability.

UPPER STRUCTURE

The upper structure is strongly reinforced by the use of an H-beam in the high cross section of the main structure providing even weight distribution and increasing stability.

The platform's collision protection system has been welded into place to improve its strength, rigidity and overall service life.



MONITORING & SERVICING MADE EASY

LiuGong's New Display Interface can bring to the operator's attention **more features** than ever before.



ON BOARD MONITORING

LiuGong's new on board monitoring LCD display interface with audible sound alerts the operator to low fluid levels, high level machine warnings, and when maintenance service is needed. When fuel level is low, a text warning will appear where date and time is located on monitor. In addition, an audible buzz will sound to alert the operator to what action is needed. If this is a low-level fault, then the buzz sound can be cancelled.



TRAVEL CAMERA STANDARD

When travelling in forward or reverse the display changes to a camera monitor. A camera mounted on rear of counterweight gives the operator an excellent view of what is behind the counterweight. This function can be accessed anytime by pressing the F3 switch.



MAINTENANCE MENU INTERFACE OPERATION

With easy access to the maintenance menu through our monitor, the operator can confirm which items should be checked daily 8 hour, weekly 50 hour, and bi-weekly 100 hour.

Here also you can easily track the various maintenance parameters of your machine to confirm your excavator is receiving the proper care which will extend the life of your machine.

PART OF YOUR PERFORMANCE

No matter where you are **in the world**, we can ensure fast and efficient parts support to keep your going.



We know that what you want is to be **confidence in your machinery. So we make sure we can always get what you need without delay, without fail, without excuses. Anywhere, and at any time. That's more than our goal. That's our pledge.**

READY FOR ANY JOB

To ensure increased versatility on any job site, LiuGong provides a range of purpose designed attachments, hitches and tools for your 915E. In-cab dial-in hydraulic flow settings through the display screen optimizes the performance of your attachment.



BUCKETS



QUICK COUPLER



BREAKER



JOBSITE UPTIME AND SUPPORT

Fit for purpose might convince you to buy your first machine, but it's uptime and support and total cost of ownership which will keep you coming back to buy more machines. Having confidence in the machine's back up and support network is a vital part of the purchasing decision. How do we at LiuGong measure up?

FAST RESPONDING GLOBAL NETWORK

We have an extensive dealer network of over 300 dealers in more than 100 countries.

All supported by 13 regional subsidiaries and 12 regional parts depots offering expert training, parts and service support.



WHERE YOU NEED US WHEN YOU NEED US

Reliability is built into our machines but all machines have some planned downtime. Our aim is to reduce even planned down time to the minimum by getting it right.

Technician training and parts availability are also high on our agenda, as is keeping you

informed on service and maintenance work and providing clear and accurate estimates, invoices and communication.

These may be small things, but customer feedback tells us that these basics really matter – so we aim to get them right.

MAINTENANCE AND SUPPORT PACKAGES

From genuine LiuGong parts, to full repair and maintenance contracts, LiuGong has the flexibility to offer the level of support and response to suit your business and applications. Whatever level of support you choose you can be confident that it is backed up by LiuGong's service promise.

**Right parts.
Right price.
Right service.**

**Above all,
we get it right
the first time.**



WE ARE LIUGONG. WORKING HARD TO KEEP OUR GLOBAL CUSTOMERS EARNING



LIUGONG SERVICE PROMISE





SPECIFICATIONS

OPERATING WEIGHT 13,800 kg

Operating weight includes coolant, lubricants, full fuel tank, cab, standard shoes, boom, arm, bucket and operator 75 kg.

Bucket capacity	0.55 m ³
-----------------	---------------------

ENGINE

Description

Cummins EPA Tier 3 / EU Stage IIIA, inline 4-cylinder, turbocharger, high pressure common rail, electronically controlled direct injection. Air cleaner: Cummins direct flow air filter. Cooling system: Charge air cooler

Emission rating	EPA Tier 3 / EU Stage IIIA
Engine manufacturer	Cummins
Engine model	QSF 3.8
Aspiration	Turbocharged
Charged air cooling	After cooler
Cooling fan drive	Direct
Displacement	3.8 L
Rated speed	2,200 rpm
Engine output - net (SAE J1349 / ISO 9249)	80.2 kW (107.5 hp / 109 ps)
Engine output - rated (SAE J1995 / ISO 14396)	86 kW (115 hp / 117 ps)
Maximum torque	470 N·m @ 1,500 rpm
Bore × Stroke	102 × 115 mm

DRIVE AND BRAKES

Description

2-speed axial piston motors with oil disk brakes. Steering controlled by two hand levers with pedals.

Max. Travel speed	High: 5.1 km/h Low: 3.3 km/h
Gradeability	35°/70%
Max. drawbar pull	122 kN

SWING SYSTEM

Description

Planetary gear reduction driven by high torque axial piston motor, with oil disk brake. Swing parking brake resets within five seconds after swing pilot controls return to neutral.

Swing speed	12.94 rpm
Swing torque	36,793 N·m

HYDRAULIC SYSTEM

Main pump

Type	Two variable displacement piston pumps
Maximum flow	2 × 132 L/min

Pilot pump

Type	Gear pump
Maximum flow	20 L/min

Relief valve setting

Implement	34.3 / 37 MPa
Travel circuit	34.3 MPa
Slew circuit	25 MPa
Pilot circuit	3.9 MPa

Hydraulic cylinders

Boom Cylinder – Bore × Stroke	Φ105 × 990 mm
Arm Cylinder – Bore × Stroke	Φ115 × 1,175 mm
Bucket Cylinder – Bore × Stroke	Φ95 × 885 mm

UNDERCARRIAGE

Track shoe each side	45
Link pitch	175 mm
Shoe width, triple grouser	500 / 600 / 700 mm
Bottom rollers each side	7
Top rollers each side	1

ELECTRIC SYSTEM

System Voltage	24 V
Batteries	2 × 12 V
Alternator	24 V - 70 A
Start motor	24 V - 4.5 kW

SERVICE CAPACITIES

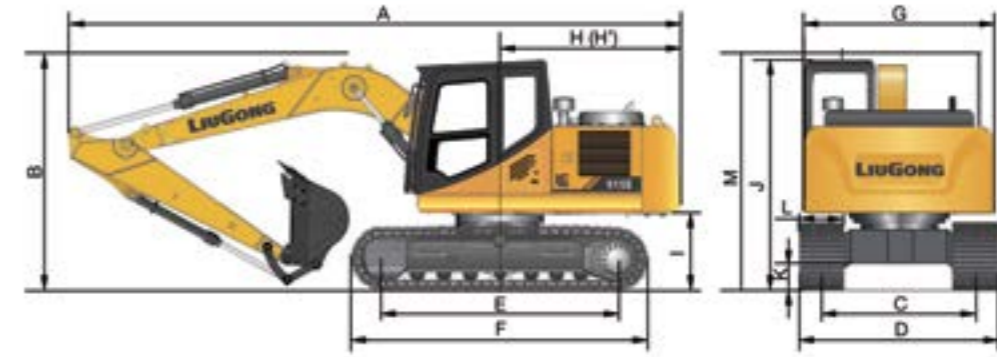
Fuel tank	245 L
Engine oil	12 L
Final drive (each)	2.5 L
Swing drive	3 L
Cooling system	21 L
Hydraulic reservoir	130 L
Hydraulic system total	200 L

SOUND PERFORMANCE

Interior Sound Power Level (ISO 6396)	70 dB(A)
Exterior Sound Power Level (ISO 6395)	101 dB(A)

MACHINE WEIGHTS AND GROUND PRESSURE

Operating weight	13,800 kg
Shoe width	500 mm
Boom	4.6 m
Arm	2.5 m
Bucket	0.6 m ³
Counterweight	2,300 kg
Ground pressure	42.5 kPa



DIMENSIONS

Boom	4,600 mm	6,680 mm
Arm Options	2,100 mm / 2,500 mm	2,500 mm / 2,900 mm
A Shipping Length	7,750 mm	9,815 mm
B Shipping Height – Top of Boom	2,930 mm	2,930 mm
C Track Gauge	1,990 mm	1,990 mm
D Undercarriage Width – with 500 mm Shoes	2,490 mm	2,490 mm
600 mm Shoes	2,590 mm	2,590 mm
700 mm Shoes	2,690 mm	2,690 mm
E Length to Center of Rollers	3,010 mm	3,010 mm
F Track Length	3,746 mm	3,746 mm
G Overall Width of Upper Structure	2,490 mm	2,490 mm
H Tail Swing Radius	2,305 mm	2,305 mm
I Counterweight Ground Clearance	960 mm	960 mm
J Overall Height of Cab	3,055 mm	3,055 mm
K Min. Ground Clearance	430 mm	430 mm
L Track Shoe Width	500 mm	500 mm

BOOM DIMENSIONS

Boom	4,600 mm	6,680 mm
Length	4,760 mm	6,840 mm
Height	1,667 mm	1,330 mm
Width	565 mm	565 mm
Weight	842 kg	1,153 kg

Cylinder, piping and pin included.
Boom cylinder pin excluded.

ARM DIMENSIONS

Arm	2,100 mm	2,500 mm	2,900 mm
Length	2,870 mm	3,260 mm	3,659 mm
Height	631 mm	645 mm	704 mm
Width	370 mm	370 mm	370 mm
Weight	487 kg	555 kg	605 kg

Cylinder, linkage and pin included.

BUCKET SELECTION GUIDE

Bucket type	Capacity	Cutting width	Weight	Teeth pcs	4,600 mm boom 500 mm shoe, 2,100 kg counterweight 2,500 mm arm
General Purpose Bucket	0.55 m ³	950 mm	477 kg	5	C
Light Duty Digging Bucket	0.55 m ³	940 mm	483 kg	5	A,B

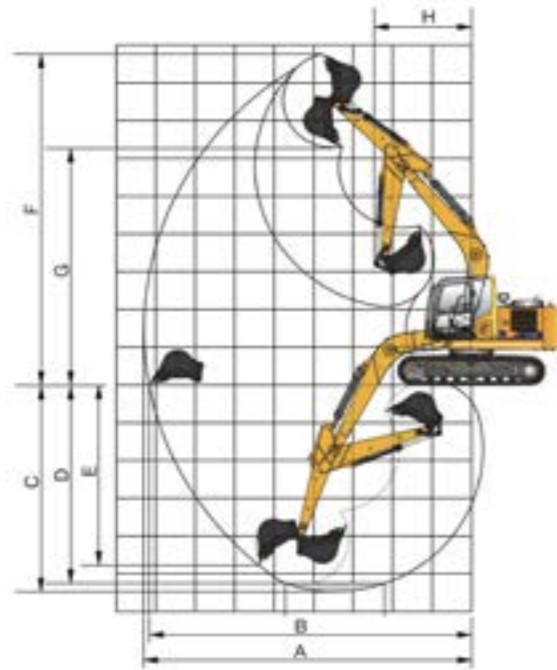
The recommendations are given as a guide only, based on typical operation conditions. Bucket capacity based on ISO 7451, heaped material with a 1:1 angle of repose.

Maximum material density:
 A 1,000 - 1,200 kg/m³ : Sand and sandy loam, Humus, Planting soil, Stony loam
 B 1,200 - 1,500 kg/m³ : Building soil, Cemented backfill, Ice clay, Natural small gravel
 A,B 1,000-1,500 kg/m³ : Refer to A&B description
 C 1,600 - 2,000 kg/m³ : Building soil, Cemented backfill, Ice clay
 D 2,000 - 2,200 kg/m³ : Gravel, Pebbles
 E 2,200 - 2,500 kg/m³ : Coal seam, Shale



MACHINE WEIGHTS AND GROUND PRESSURE

	Operating weight	Ground pressure	Overall width	Operating weight	Ground pressure	Overall width
Shoe width	4.6 m boom, 2.9 m arm, 0.36 m ³ bucket, 2,300 kg counterweight					
	4.6 m boom, 2.5 m arm, 0.6 m ³ bucket, 2,300 kg counterweight			6.68 m boom, 2.5 m arm, 2,300 kg counterweight		
	4.6 m boom, 2.1 m arm, 0.73 m ³ bucket, 2,300 kg counterweight					
500 mm	13,800 kg	42.5 kPa	2,490 mm	14,300 kg	45.7 kPa	2,490 mm
600 mm	14,050 kg	36.1 kPa	2,590 mm	14,550 kg	44.7 kPa	2,590 mm
700 mm	14,300 kg	31.5 kPa	2,690 mm	14,800 kg	43.8 kPa	2,690 mm



WORKING RANGE

Boom		4,600 mm	6,680 mm
Arm Options		2,100 mm	2,500 mm
A. Max. Digging Reach		7,924 mm	10,450 mm
B. Max. Digging Reach on Ground		7,784 mm	8,170 mm
C. Max. Digging Depth		5,086 mm	6,860 mm
D. Max. Digging Depth, 2.44 m (8') level		4,828 mm	6,630 mm
E. Max. Vertical Wall Digging Depth		4,428 mm	6,430 mm
F. Max. Cutting Height		8,480 mm	10,940 mm
G. Max. Dumping Height		6,024 mm	8,570 mm
H. Min. Front Swing Radius		2,400 mm	3,570 mm
Bucket Digging Force (ISO)	Normal	89.8 kN	89.8 kN
	Power Boost	96.9 kN	96.9 kN
Arm Digging Force (ISO)	Normal	75.6 kN	64.9 kN
	Power Boost	81.5 kN	70.0 kN
Bucket Capacity		0.73 m ³	/
Bucket Tip Radius		1,250 mm	1,250 mm

Lifting capacity at the arm end without bucket.
For lifting capacity including bucket, weight of the bucket or the bucket with quick coupler must be deducted from the lifting capacities.
Lifting capacities are based on the machine standing on a firm, uniform supporting surface.



Rating over - front (Cf) Rating over - side (Cs)

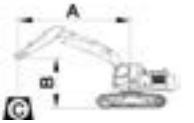
- Do not attempt to lift or hold any load that is greater than these rated values at their specified load radius and height. Weight of all accessories must be deducted from the above lifting capacities.
- The rated loads are in compliance with ISO 10567 Hydraulic Excavator Lift Capacity Rating Standard. They do not exceed 87% of hydraulic lifting capacity or 75% tipping load.
- Ratings at bucket lift hook.
- Lifting capacities are based on machine standing on level, firm and uniform ground.
- *Indicates the load is limited by hydraulic capacity rather than tipping capacity.
- Operator should be fully acquainted with the Operator's and Maintenance Instructions before operating this machine and rules for the safe operation of equipment should be adhered to at all times.

LIFTING CAPACITY (METRIC)

915E with 500 mm shoes, 2,500 mm arm (Standard)

Conditions

Boom length: 4,600 mm
Arm length: 2,500 mm
Bucket: None
Shoes: 500 mm triple grouser
Unit: kg



Blade: Down											
A (Unit: m)											
B (m)	1.5		3.0		4.5		6.0		MAX REACH		A (m)
	Cf	Cs	Cf	Cs	Cf	Cs	Cf	Cs	Cf	Cs	
6.0					*3,610	3,600			*2,210	*2,210	5.4
4.5					*3,800	3,540	*3,430	2,260	*1,940	*1,940	6.4
3.0			*6,150	6,120	*4,530	3,350	*3,880	2,200	*2,070	1,770	6.9
1.5			*8,520	5,430	*5,420	3,110	*4,230	2,110	*2,630	1,700	7.0
GROUND LEVEL			*7,340	5,150	*5,980	2,950	*4,470	2,030	*2,450	1,700	6.9
-1.5	*5,270	*5,270	*8,830	5,130	*5,960	2,900	*4,320	2,010	*2,770	1,870	6.4
-3.0	*9,270	*9,270	*7,430	5,250	*5,120	2,950			*3,920	2,360	5.4

Blade: Up											
A (Unit: m)											
B (m)	1.5		3.0		4.5		6.0		MAX REACH		A (m)
	Cf	Cs	Cf	Cs	Cf	Cs	Cf	Cs	Cf	Cs	
6.0					*3,610	3,600			*2,210	*2,210	5.4
4.5					*3,800	3,540	*3,430	2,260	*1,940	*1,940	6.4
3.0			*6,150	6,120	*4,530	3,350	3,750	2,200	*2,070	1,770	6.9
1.5			*8,520	5,430	*5,420	3,110	3,650	2,110	*2,630	1,700	7.0
GROUND LEVEL			*7,340	5,150	5,410	2,950	3,560	2,030	*2,450	1,700	6.9
-1.5	*5,270	*5,270	*8,830	5,130	5,340	2,900	3,540	2,010	*2,770	1,870	6.4
-3.0	*9,270	*9,270	*7,430	5,250	*5,120	2,950			*3,920	2,360	5.4



Lifting capacity at the arm end without bucket.
For lifting capacity including bucket, weight of the bucket or the bucket with quick coupler must be deducted from the lifting capacities.

Lifting capacities are based on the machine standing on a firm, uniform supporting surface.



Rating over - front (Cf) Rating over - side (Cs)

- Do not attempt to lift or hold any load that is greater than these rated values at their specified load radius and height. Weight of all accessories must be deducted from the above lifting capacities.
- The rated loads are in compliance with ISO 10567 Hydraulic Excavator Lift Capacity Rating Standard. They do not exceed 87% of hydraulic lifting capacity or 75% tipping load.
- Ratings at bucket lift hook.

- Lifting capacities are based on machine standing on level, firm and uniform ground.
- *Indicates the load is limited by hydraulic capacity rather than tipping capacity.
- Operator should be fully acquainted with the Operator's and Maintenance Instructions before operating this machine and rules for the safe operation of equipment should be adhered to at all times.

Lifting capacity at the arm end without bucket.
For lifting capacity including bucket, weight of the bucket or the bucket with quick coupler must be deducted from the lifting capacities.

Lifting capacities are based on the machine standing on a firm, uniform supporting surface.



Rating over - front (Cf) Rating over - side (Cs)

- Do not attempt to lift or hold any load that is greater than these rated values at their specified load radius and height. Weight of all accessories must be deducted from the above lifting capacities.
- The rated loads are in compliance with ISO 10567 Hydraulic Excavator Lift Capacity Rating Standard. They do not exceed 87% of hydraulic lifting capacity or 75% tipping load.
- Ratings at bucket lift hook.

- Lifting capacities are based on machine standing on level, firm and uniform ground.
- *Indicates the load is limited by hydraulic capacity rather than tipping capacity.
- Operator should be fully acquainted with the Operator's and Maintenance Instructions before operating this machine and rules for the safe operation of equipment should be adhered to at all times.

LIFTING CAPACITY (METRIC)

915E with 600 mm shoes, 2,500 mm arm (Standard)

A: Reach from swing center
B: Bucket hook height
C: Lifting capacity
Cf: Rating over front
Cs: Rating over side

Conditions

Boom length: 4,600 mm
Arm length: 2,500 mm
Bucket: None
Shoes: 600 mm triple grouser
Unit: kg



Blade: Down

A (Unit: m)

B (m)	1.5		3.0		4.5		6.0		MAX REACH		A (m)
	Cf	Cs	Cf	Cs	Cf	Cs	Cf	Cs	Cf	Cs	
6.0					*3,610	*3,610			*2,210	*2,210	5.4
4.5					*3,800	*3,800	*3,430	2,560	*1,940	*1,940	6.4
3.0			*6,150	*6,150	*4,530	3,800	*3,880	2,500	*2,070	2,020	6.9
1.5			*8,520	6,340	*5,420	3,560	*4,230	2,400	*2,630	1,940	7.0
GROUND LEVEL			*7,340	6,040	*5,980	3,400	*4,470	2,330	*2,450	1,940	6.9
-1.5	*5,270	*5,270	*8,830	6,020	*5,960	3,340	*4,320	2,310	*2,770	2,140	6.4
-3.0	*9,270	*9,270	*7,430	6,140	*5,120	3,390			*3,920	2,700	5.4

Blade: Up

A (Unit: m)

B (m)	1.5		3.0		4.5		6.0		MAX REACH		A (m)
	Cf	Cs	Cf	Cs	Cf	Cs	Cf	Cs	Cf	Cs	
6.0					*3,610	*3,610			*2,210	*2,210	5.4
4.5					*3,800	*3,800	*3,430	2,560	*1,940	*1,940	6.4
3.0			*6,150	*6,150	*4,530	3,800	3,810	2,500	*2,070	2,020	6.9
1.5			*8,520	6,340	*5,420	3,560	3,710	2,400	*2,630	1,940	7.0
GROUND LEVEL			*7,340	6,040	*5,980	3,400	3,630	2,330	*2,450	1,940	6.9
-1.5	*5,270	5,270	*8,830	6,020	5,500	3,340	3,600	2,310	*2,770	2,140	6.4
-3.0	*9,270	9,270	*7,430	6,140	*5,120	3,390			*3,920	2,700	5.4

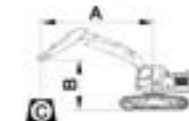
LIFTING CAPACITY (METRIC)

915E with 700 mm shoes, 2,500 mm arm (Standard)

A: Reach from swing center
B: Bucket hook height
C: Lifting capacity
Cf: Rating over front
Cs: Rating over side

Conditions

Boom length: 4,600 mm
Arm length: 2,500 mm
Bucket: None
Shoes: 700 mm triple grouser
Unit: kg



Blade: Down

A (Unit: m)

B (m)	1.5		3.0		4.5		6.0		MAX REACH		A (m)
	Cf	Cs	Cf	Cs	Cf	Cs	Cf	Cs	Cf	Cs	
6.0					*3,610	*3,610			*2,210	*2,210	5.4
4.5					*3,800	*3,800	*3,430	2,560	*1,940	*1,940	6.4
3.0			*6,150	*6,150	*4,530	3,800	*3,880	2,500	*2,070	2,020	6.9
1.5			*8,520	6,340	*5,420	3,560	*4,230	2,400	*2,630	1,940	7.0
GROUND LEVEL			*7,340	6,040	*5,980	3,400	*4,470	2,330	*2,450	1,940	6.9
-1.5	*5,270	*5,270	*8,830	6,020	*5,960	3,340	*4,320	2,310	*2,770	2,140	6.4
-3.0	*9,270	*9,270	*7,430	6,140	*5,120	3,390			*3,920	2,700	5.4

Blade: Up

A (Unit: m)

B (m)	1.5		3.0		4.5		6.0		MAX REACH		A (m)
	Cf	Cs	Cf	Cs	Cf	Cs	Cf	Cs	Cf	Cs	
6.0					*3,610	*3,610			*2,210	*2,210	5.4
4.5					*3,800	*3,800	*3,430	2,560	*1,940	*1,940	6.4
3.0			*6,150	*6,150	*4,530	3,800	3,810	2,500	*2,070	2,020	6.9
1.5			*8,520	6,340	*5,420	3,560	3,710	2,400	*2,630	1,940	7.0
GROUND LEVEL			*7,340	6,040	*5,980	3,400	3,630	2,330	*2,450	1,940	6.9
-1.5	*5,270	*5,270	*8,830	6,020	5,500	3,340	3,600	2,310	*2,770	2,140	6.4
-3.0	*9,270	*9,270	*7,430	6,140	*5,120	3,390			*3,920	2,700	5.4



Lifting capacity at the arm end without bucket. For lifting capacity including bucket, weight of the bucket or the bucket with quick coupler must be deducted from the lifting capacities.

Lifting capacities are based on the machine standing on a firm, uniform supporting surface.



Rating over - front (Cf)



Rating over - side (Cs)

- Do not attempt to lift or hold any load that is greater than these rated values at their specified load radius and height. Weight of all accessories must be deducted from the above lifting capacities.
- The loads are in compliance with ISO 10567 Hydraulic Excavator Lift Capacity Rating Standard. They do not exceed 87% of hydraulic lifting capacity or 75% tipping load.
- Ratings at bucket lift hook.

- Lifting capacities are based on machine standing on level, firm and uniform ground.
- *Indicates the load is limited by hydraulic capacity rather than tipping capacity.
- Operator should be fully acquainted with the Operator's and Maintenance Instructions before operating this machine and rules for the safe operation of equipment should be adhered to at all times.

Lifting capacity at the arm end without bucket. For lifting capacity including bucket, weight of the bucket or the bucket with quick coupler must be deducted from the lifting capacities.

Lifting capacities are based on the machine standing on a firm, uniform supporting surface.



Rating over - front (Cf)



Rating over - side (Cs)

- Do not attempt to lift or hold any load that is greater than these rated values at their specified load radius and height. Weight of all accessories must be deducted from the above lifting capacities.
- The loads are in compliance with ISO 10567 Hydraulic Excavator Lift Capacity Rating Standard. They do not exceed 87% of hydraulic lifting capacity or 75% tipping load.
- Ratings at bucket lift hook.

- Lifting capacities are based on machine standing on level, firm and uniform ground.
- *Indicates the load is limited by hydraulic capacity rather than tipping capacity.
- Operator should be fully acquainted with the Operator's and Maintenance Instructions before operating this machine and rules for the safe operation of equipment should be adhered to at all times.

LIFTING CAPACITY (METRICS)

915E with 500 mm shoes, 2,900 mm arm

A: Reach from swing center
B: Bucket hook height
C: Lifting capacity
Cf: Rating over front
Cs: Rating over side

Conditions

Boom length: 4,600
Arm length: 2,900 mm
Bucket: None
Shoes: 500 mm triple grouser
Unit: kg



Blade: Down

A (Unit: m)

B (m)	1.5		3.0		4.5		6.0		MAX REACH		A (m)
	Cf	Cs	Cf	Cs	Cf	Cs	Cf	Cs	Cf	Cs	
6.0									*1,780	*1,780	5.9
4.5					*3,440	*3,440	*3,360	2,270	*1,710	*1,710	6.8
3.0			*5,430	*5,430	*4,190	3,380	*3,640	2,200	*1,660	1,610	7.3
1.5			*7,940	5,560	*5,130	3,130	*4,040	2,100	*2,050	1,550	7.4
GROUND LEVEL			*7,880	5,170	*5,820	2,950	*4,350	2,010	*1,930	1,550	7.3
-1.5	*4,770	*4,770	*9,000	5,090	*5,950	2,860	*4,350	1,970	*2,380	1,690	6.8
-3.0	*7,980	*7,980	*7,870	5,170	*5,360	2,880			*3,140	2,050	5.9
-4.5			*5,280	*5,280					*3,580	3,340	4.2

Blade: Up

A (Unit: m)

B (m)	1.5		3.0		4.5		6.0		MAX REACH		A (m)
	Cf	Cs	Cf	Cs	Cf	Cs	Cf	Cs	Cf	Cs	
6.0									*1,780	*1,780	5.9
4.5					*3,440	*3,440	*3,360	2,270	*1,710	*1,710	6.8
3.0			*5,430	*5,430	*4,190	3,380	*3,640	2,200	*1,660	1,610	7.3
1.5			*7,940	5,560	*5,130	3,130	3,610	2,100	*2,050	1,550	7.4
GROUND LEVEL			*7,880	5,170	5,360	2,950	3,510	2,010	*1,930	1,550	7.3
-1.5	*4,770	*4,770	*9,000	5,090	5,260	2,860	3,470	1,970	*2,380	1,690	6.8
-3.0	*7,980	*7,980	*7,870	5,170	5,290	2,880			*3,140	2,050	5.9
-4.5			*5,280	*5,280					*3,580	3,340	4.2

LIFTING CAPACITY (METRICS)

915E with 600 mm shoes, 2,900 mm arm

A: Reach from swing center
B: Bucket hook height
C: Lifting capacity
Cf: Rating over front
Cs: Rating over side

Conditions

Boom length: 4,600
Arm length: 2,900 mm
Bucket: None
Shoes: 600 mm triple grouser
Unit: kg



Blade: Down

A (Unit: m)

B (m)	1.5		3.0		4.5		6.0		MAX REACH		A (m)
	Cf	Cs	Cf	Cs	Cf	Cs	Cf	Cs	Cf	Cs	
6.0									*1,780	*1,780	5.9
4.5					*3,440	*3,440	*3,360	2,600	*1,710	*1,710	6.8
3.0			*5,430	*5,430	*4,190	3,870	*3,640	2,520	*1,660	*1,660	7.3
1.5			*7,940	6,520	*5,130	3,610	*4,040	2,410	*2,050	1,770	7.4
GROUND LEVEL			*7,880	6,070	*5,820	3,400	*4,350	2,310	*1,930	1,770	7.3
-1.5	*4,770	*4,770	*9,000	5,960	*5,950	3,300	*4,350	2,260	*2,380	1,930	6.8
-3.0	*7,980	*7,980	*7,870	6,020	*5,360	3,310			*3,140	2,340	5.9
-4.5			*5,280	*5,280					*3,580	*3,580	4.2

Blade: Up

A (Unit: m)

B (m)	1.5		3.0		4.5		6.0		MAX REACH		A (m)
	Cf	Cs	Cf	Cs	Cf	Cs	Cf	Cs	Cf	Cs	
6.0									*1,780	*1,780	5.9
4.5					*3,440	*3,440	*3,360	2,600	*1,710	*1,710	6.8
3.0			*5,430	*5,430	*4,190	3,870	*3,640	2,520	*1,660	*1,660	7.3
1.5			*7,940	6,520	*5,130	3,610	3,700	2,410	*2,050	1,770	7.4
GROUND LEVEL			*7,880	6,070	5,500	3,400	3,600	2,310	*1,930	1,770	7.3
-1.5	*4,770	*4,770	*9,000	5,960	5,400	3,300	3,560	2,260	*2,380	1,930	6.8
-3.0	*7,980	*7,980	*7,870	6,020	*5,360	3,310			*3,140	2,340	5.9
-4.5			*5,280	*5,280					*3,580	*3,580	4.2



Lifting capacity at the arm end without bucket. For lifting capacity including bucket, weight of the bucket or the bucket with quick coupler must be deducted from the lifting capacities.

Lifting capacities are based on the machine standing on a firm, uniform supporting surface.



Rating over - front (Cf)



Rating over - side (Cs)

- Do not attempt to lift or hold any load that is greater than these rated values at their specified load radius and height. Weight of all accessories must be deducted from the above lifting capacities.
- The loads are in compliance with ISO 10567 Hydraulic Excavator Lift Capacity Rating Standard. They do not exceed 87% of hydraulic lifting capacity or 75% tipping load.
- Ratings at bucket lift hook.
- Lifting capacities are based on machine standing on level, firm and uniform ground.
- *Indicates the load is limited by hydraulic capacity rather than tipping capacity.
- Operator should be fully acquainted with the Operator's and Maintenance Instructions before operating this machine and rules for the safe operation of equipment should be adhered to at all times.

LIFTING CAPACITY (METRICS)

915E with 700 mm shoes, 2,900 mm arm

A: Reach from swing center
 B: Bucket hook height
 C: Lifting capacity
 Cf: Rating over front
 Cs: Rating over side

Conditions

Boom length: 4,600
 Arm length: 2,900 mm
 Bucket: None
 Shoes: 700 mm triple grouser
 Unit: kg



Blade: Down

A (Unit: m)

B (m)	1.5		3.0		4.5		6.0		MAX REACH		
	Cf	Cs	Cf	Cs	Cf	Cs	Cf	Cs	Cf	Cs	A (m)
6.0									*1,780	*1,780	5.9
4.5					*3,440	*3,440	*3,360	2,600	*1,710	*1,710	6.8
3.0			*5,430	*5,430	*4,190	3,870	*3,640	2,520	*1,660	*1,660	7.3
1.5			*7,940	6,520	*5,130	3,610	*4,040	2,410	*2,050	1,770	7.4
GROUND LEVEL			*7,880	6,070	*5,820	3,400	*4,350	2,310	*1,930	1,770	7.3
-1.5	*4,770	*4,770	*9,000	5,960	*5,950	3,300	*4,350	2,260	*2,380	1,930	6.8
-3.0	*7,980	*7,980	*7,870	6,020	*5,360	3,310			*3,140	2,340	5.9
-4.5			*5,280	*5,280					*3,580	*3,580	4.2

Blade: Up

A (Unit: m)

B (m)	1.5		3.0		4.5		6.0		MAX REACH		
	Cf	Cs	Cf	Cs	Cf	Cs	Cf	Cs	Cf	Cs	A (m)
6.0									*1,780	*1,780	5.9
4.5					*3,440	*3,440	*3,360	2,600	*1,710	*1,710	6.8
3.0			*5,430	*5,430	*4,190	3,870	*3,640	2,520	*1,660	*1,660	7.3
1.5			*7,940	6,520	*5,130	3,610	3,700	2,410	*2,050	1,770	7.4
GROUND LEVEL			*7,880	6,070	5,500	3,400	3,600	2,310	*1,930	1,770	7.3
-1.5	*4,770	*4,770	*9,000	5,960	5,400	3,300	3,560	2,260	*2,380	1,930	6.8
-3.0	*7,980	*7,980	*7,870	6,020	*5,360	3,310			*3,140	2,340	5.9
-4.5			*5,280	*5,280					*3,580	*3,580	4.2

STANDARD EQUIPMENT

ENGINE SYSTEM

- Cummins diesel engine, turbocharged, inline 4-cylinder, 4 stroke, water cooled
- Auto-idle speed control
- Air filter with pre-cleaner
- Engine oil filter
- Pre-filter with water separator
- Radiator, oil cooler and intercooler
- IPC (Intelligent Power Control) System
- Engine overheating prevention system

DRIVETRAIN

- Hydraulic motor, one-piece two-gear piston and reducer
- 2-speed travel system with automatic shift

SWING SYSTEM

- High-torque piston swing motor with integral spring set and automatic hydraulic release swing brake

HYDRAULIC SYSTEM

- Main pump: two variable displacement piston pumps, ready for PTO
- Pilot pump: gear
- Cylinders: boom, arm, bucket
- Power boost function
- Boom and arm regeneration circuits
- Pilot oil filter
- Load holding valve
- Pilot control shut-off lever
- 6-working mode selection system: Power, Economy, Fine, Lifting, Breaker, Attachment

DIGGING EQUIPMENT

- 4,600 mm boom
- 2,500 mm arm
- 0.6 m³ bucket (SAE, heaped)

OPERATOR STATION

- Pressurized and sealed cab with all-around visibility, large roof window with slide sliding sun visor, front window wiper and removable lower window
- Skylight rooftop
- Air conditioner, heater, defroster
- Swing parking brake
- AM/FM radio with MP3 audio jack
- Glass-breaking hammer
- Ashtray, cigarette lighter
- Cup holder
- Floor mat
- Storage box
- Front glass lower guard
- Fire extinguisher
- Rear view mirrors
- One key for all locks

INSTRUMENTATION

- Color LCD monitor with alarms, filter/fluid change, fuel rate, water temperature, work mode, fault code, working hour, etc.
- Fuel gauge
- Hydraulic oil level gauge

ELECTRICAL

- Alternator 70 A
- Dual batteries 12 V
- Working lights, 1 frame mounted, 2 boom mounted
- Starting, 24 V

UNDERCARRIAGE

- 500 mm track-shoes with triple grousers
- 1 piece track - guard (each side)
- Towing eye on base frame

GUARDS

- Belly guards
- Cover plate under travel frame
- Track shields

OTHER STANDARD EQUIPMENT

- 2,300 kg counterweight
- Maintenance tool kit
- Maintenance parts package

OPTIONAL EQUIPMENT

ENGINE SYSTEM

- Electrical fuel refilling pump

HYDRAULIC SYSTEM

- Control pattern change valve
- Hydraulic lines: Breaker & shear Slope & rotator Grapple Oil drain line Quick coupler
- Hydraulic quick coupler
- Cushion valve
- Hose burst safety valves, prevention of boom or arm supply dropped when the lines split (2 mounted on boom cylinders, 1 on arm cylinder)

OPERATOR STATION

- Power outlet 24 V to 12 V converter
- 4 LED cab top lights
- Working lights on cab (2 on top-front cab)
- Rear view camera 5.7" monitor
- Air suspension seat
- Control joysticks with 2 switch & 1 proportional
- Safety net for front window
- Rain visor
- Travel alarm
- Rotating beacon
- Operation protection guard (included cab front and top guard, bar)
- Operation protection screen (on cab front, net)
- Operation protection screen (front-lower)
- Roll-Over Protective System (ROPS)

UPPER STRUCTURE

- Upper frame protection (wire)
- Belly guard and 8 mm thickness platform bottom plate
- Bucket cylinder guard

UNDERCARRIAGE

- 600 / 700 mm track-shoes with triple grousers

DIGGING EQUIPMENT

- Boom: 6,680 mm
- Arm: 2,100 mm, 2,900 mm
- 0.36 m³, 0.73 m³ bucket (SAE, heaped)

ELECTRICAL

- LED working lights on cab, 4 front and 2 rear
- Rear view camera
- Travel alarm
- Rotating beacon



Guangxi LiuGong Machinery Co., Ltd.

No. 1 Liutai Road, Liuzhou, Guangxi 545007, PR China
T: +86 772 388 6124 E: overseas@liugong.com
www.liugong.com

Like and follow us:



LG-PB-915E-T3-22-012022-ENG

The LiuGong series of logos herein, including but not limited to word marks, device marks, letter of alphabet marks and combination marks, as the registered trademarks of Guangxi LiuGong Group Co., Ltd. are used by Guangxi LiuGong Machinery Co., Ltd. with legal permission, and shall not be used without permission. Specifications and designs are subject to change without notice. Illustrations and pictures may include optional equipment and may not include all standard equipment. Equipment and options varies by regional availability.