



Engine	Yanmar 3TNV80F-SSLY
Rated Power	13.4 kW (18 hp / 18.2 ps) @ 2,200 rpm
Maximum Dig Depth	2,290 mm (7'6")
Standard Bucket Capacity	0.045 m ³ (0.06 yd ³)
Operating Weight (with Cab)	1,900 kg (4,189 lbs)
Operating Weight (with Canopy)	1,800 kg (3,969 lbs)

9018F EXCAVATOR

9018F SPECIFICATIONS >>>

ENGINE

Emission Regulation	Tier 4F / Stage V
Make	Yanmar
Model	3TNV80F-SSLY
Rated Power	13.4 kW (18 hp / 18.2 ps) @ 2,200 rpm
Peak Torque	63.1~67.4 N·m (46.5~49.7 lbf·ft) @ 1,600 rpm
Number of Cylinders	3
Displacement	1.267 L

UNDERCARRIAGE

Shoe Width	230 mm (9 in)
Number of Shoes per Side	37 (Metal) / 70 (Rubber)
Number of Bottom Rollers per Side	3

BOOM & ARM

Boom Length	1,685 mm (5'6")
Arm Length	1,070 mm (3'6")

BUCKET PERFORMANCE

Std. Bucket Heaped Capacity (Referenced) 0.045 m³ (0.06 yd³)

TRACK DRIVE

Maximum Travel Speed	4.5 km/h (2.8 mph)
Drawbar Pull	16 kN (3,597 lbf)

SERVICE CAPACITIES

Fuel Tank	28 L (7.4 gal)
Engine Oil	4.4 L (1.2 gal)
Cooling System	3.3 L (0.9 gal)
Hydraulic Reservoir	24 L (6.3 gal)

HYDRAULIC SYSTEM

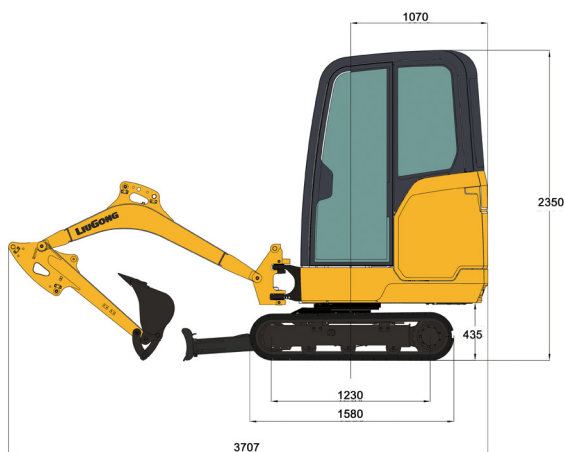
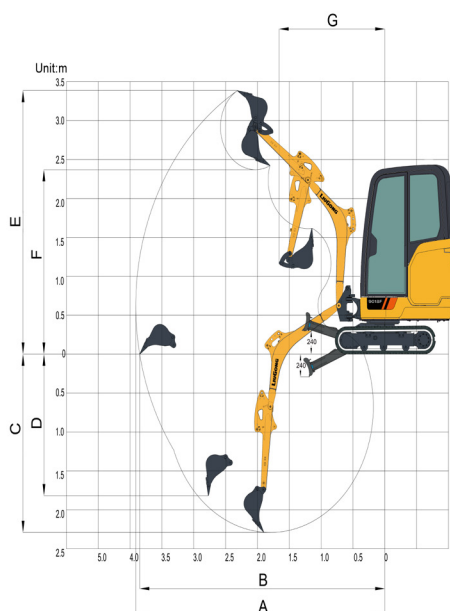
Main Pumps Total Flow	55 L/min (14.5 gal/min)
Relief Pressure, main	21 MPa (3,046 psi)

SWING SYSTEM

Swing Speed	9.5 rpm
-------------	---------

WORKING RANGE

A. Max. Digging Reach	3,910 mm (12'10")
B. Max. Digging Reach on Ground	3,850 mm (12'8")
C. Max. Digging Depth	2,290 mm (7'6")
D. Max. Digging Depth, 2.44 m (8') Level	1,820 mm (5'12")
E. Max. Cutting Height	3,385 mm (11'1")
F. Max. Dumping Height	2,370 mm (7'9")
G. Min. Front Swing Radius	1,660 mm (5'5")
Bucket Digging Force (ISO)	16 kN (3,597 lbf)
Arm Digging Force (ISO)	9 kN (2,023 lbf)



Guangxi Liugong Machinery Co., Ltd.

No. 1 Liutai Road, Liuzhou, Guangxi 545007, PR China
 T: +86 772 3886124 E: overseas@liugong.com
 www.liugong.com

Specifications and designs are subject to change without notice. Machines shown may include optional equipment. Liugong standard and optional equipment may vary from region to region. Please consult your Liugong dealer for information specific to your area. Engine power kW is converted to horsepower (1 kW=1.3596 ps and 1 kW=1.3410 hp) in this file.

12/2022 Designed by LiuGong
 Replace the previous versions of 09/2022