



|                                |                                     |
|--------------------------------|-------------------------------------|
| <b>Engine</b>                  | Yuchai YC6J125Z-T22                 |
| <b>Rated Power</b>             | 92 kW (123 hp / 125 ps) @ 2,000 rpm |
| <b>Net Power</b>               | 85 kW (114 hp / 116 ps) @ 2,000 rpm |
| <b>Operating Weight</b>        | 10,125 kg                           |
| <b>Standard Bucket Size</b>    | 1.8 m <sup>3</sup>                  |
| <b>Standard Breakout Force</b> | 102 kN                              |
| <b>Standard Dump Clearance</b> | 2,930 mm                            |

# 835H WHEEL LOADER

# 835H SPECIFICATIONS >>>

## ENGINE

|                     |                                     |
|---------------------|-------------------------------------|
| Emission Regulation | Tier 2 / Stage II                   |
| Maker               | Yuchai                              |
| Model               | YC6J125Z-T22                        |
| Rated Power         | 92 kW (123 hp / 125 ps) @ 2,000 rpm |
| Net Power           | 85 kW (114 hp / 116 ps) @ 2,000 rpm |
| Peak Torque         | 608 N·m @ 1,300-1,500 rpm           |
| Displacement        | 6.494 L                             |
| Number of Cylinder  | 6                                   |
| Aspiration          | Turbocharged                        |

## TRANSMISSION

|                           |                             |
|---------------------------|-----------------------------|
| Transmission Type         | Planetary, power shift      |
| Torque Converter          | Double stage, four elements |
| Maximum Travel Speed, fwd | 36 km/h                     |
| Maximum Travel Speed, rev | 16 km/h                     |
| Number of Speed, fwd      | 2                           |
| Number of Speed, Rev      | 1                           |

## AXLES

|                         |              |
|-------------------------|--------------|
| Differential Front Type | Conventional |
| Differential Rear Type  | Conventional |
| Axle Oscillation        | ±10°         |

## STEERING

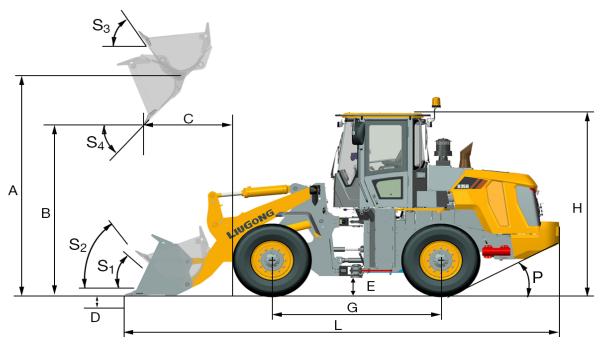
|                          |             |
|--------------------------|-------------|
| Steering Configuration   | Articulated |
| Steering Relief Pressure | 17.2 MPa    |

## BRAKES

|                         |                     |
|-------------------------|---------------------|
| Service Brake Type      | Caliper discs brake |
| Service Brake Actuation | Air over hydraulic  |
| Parking Brake Type      | Caliper discs brake |
| Parking Brake Actuation | Mechanical          |

## HYDRAULIC SYSTEM

|                          |        |
|--------------------------|--------|
| Main Pump Type           | Gear   |
| Main Relief Pressure     | 22 MPa |
| Raise                    | 5.5 s  |
| Dump Time                | 1.1 s  |
| Float Down Time          | 3.1 s  |
| Fastest Total Cycle Time | 9.7 s  |



## LOADER ARM PERFORMANCE WITH STANDARD BUCKET 1.8 m³

|  |          |
|--|----------|
| Tipping Load - Straight (ISO 14397-1:2007)       | 7,800 kg |
| Tipping Load - Full Turn (ISO 14397-1:2007)      | 6,700 kg |
| Bucket Breakout Force                            | 102 kN   |
| A Maximum Hinge Pin Height                       | 3,738 mm |
| B Dump Clearance at Full Height Discharge        | 2,930 mm |
| C Dump Reach at Full Height Discharge            | 1,035 mm |
| D Maximum Digging Depth, Bucket Level            | 40 mm    |
| S <sub>1</sub> Rollback at Ground Level          | 42°      |
| S <sub>2</sub> Bucket Rollback at Carry          | 49°      |
| S <sub>3</sub> Bucket Rollback at Maximum Height | 60°      |
| S <sub>4</sub> Maximum Dump Angle at Full Height | 45°      |

## BUCKET PERFORMANCE

|                  |            |
|------------------|------------|
| Reference Bucket | 1.5-3.2 m³ |
|------------------|------------|

## DIMENSIONS

|  |          |
|--|----------|
| E Ground Clearance                             | 350 mm   |
| G Wheelbase                                    | 2,870 mm |
| H Cab Height                                   | 3,340 mm |
| J Wheel Tread                                  | 1,850 mm |
| K Width Over Tires                             | 2,295 mm |
| L Length with Bucket Down                      | 7,150 mm |
| M Turn Angle, Either Side                      | 40°      |
| P Rear Angle of Departure                      | 28°      |
| R <sub>1</sub> Turning Radius, Bucket Carry    | 5,660 mm |
| R <sub>2</sub> Turning Radius, Outside of Tire | 5,090 mm |
| W Width Over Bucket                            | 2,460 mm |

## TIRES

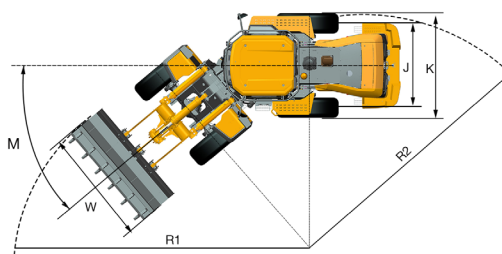
|           |                     |
|-----------|---------------------|
| Tire Size | 17.5-25 PR12 L-3 TT |
|-----------|---------------------|

## OPERATING WEIGHTS

|                  |           |
|------------------|-----------|
| Operating Weight | 10,125 kg |
|------------------|-----------|

## SERVICE CAPACITY

|                                   |       |
|-----------------------------------|-------|
| Fuel Tank                         | 140 L |
| Engine Oil                        | 17 L  |
| Cooling System                    | 35 L  |
| Hydraulic System                  | 100 L |
| Transmission and Torque Converter | 40 L  |
| Axles, Each                       | 22 L  |



Guangxi Liugong Machinery Co., Ltd.

No. 1 Liutai Road, Liuzhou, Guangxi 545007, PR China  
T: +86 772 3886124 E: overseas@liugong.com  
www.liugong.com

Specifications and designs are subject to change without notice. Machines shown may include optional equipment. Liugong standard and optional equipment may vary from region to region. Please consult your Liugong dealer for information specific to your area. Engine power kW is converted to horsepower (1 kW=1.3596 ps and 1 kW=1.3410 hp) in this file.

03/2024 Designed by Liugong  
Replace the previous versions of 02/2022