



|                                |                                      |
|--------------------------------|--------------------------------------|
| <b>Engine</b>                  | Cummins QSB7                         |
| <b>Rated Power</b>             | 135 kW (181 hp / 184 ps) @ 2,050 rpm |
| <b>Net Power</b>               | 124 kW (166 hp / 169 ps) @ 2,050 rpm |
| <b>Operating Weight</b>        | 14,860 kg                            |
| <b>Standard Bucket Size</b>    | 3.0 m <sup>3</sup>                   |
| <b>Standard Breakout Force</b> | 105 kN                               |
| <b>Standard Dump Clearance</b> | 2,676 mm                             |

# 848H WHEEL LOADER

# 848H SPECIFICATIONS >>>

## ENGINE

|                     |                                       |
|---------------------|---------------------------------------|
| Emission Regulation | Tier 3 / Stage IIIA                   |
| Manufacturer        | Cummins                               |
| Model               | QSB7                                  |
| Rated Power         | 135 kW (181 hp / 184 ps) @ 2,050 rpm  |
| Net Power           | 124 kW (166 hp / 169 ps) @ 2,050 rpm  |
| Peak Torque         | 740 N.m @ 900 rpm                     |
| Displacement        | 6.7 L                                 |
| Number of Cylinder  | 6                                     |
| Aspiration          | Turbocharged & air-to-air intercooled |

## TRANSMISSION

|                           |                             |
|---------------------------|-----------------------------|
| Transmission Type         | Countershaft, power shift   |
| Torque Converter          | Single-stage, three-element |
| Maximum Travel Speed, Fwd | 40 km/h                     |
| Maximum Travel Speed, Rev | 25.9 km/h                   |
| Number of Speeds, Fwd     | 4                           |
| Number of Speeds, Rev     | 3                           |

## AXLES

|                         |              |
|-------------------------|--------------|
| Differential Front Type | Limited slip |
| Differential Rear Type  | Limited slip |
| Axle Oscillation        | ±12°         |

## STEERING

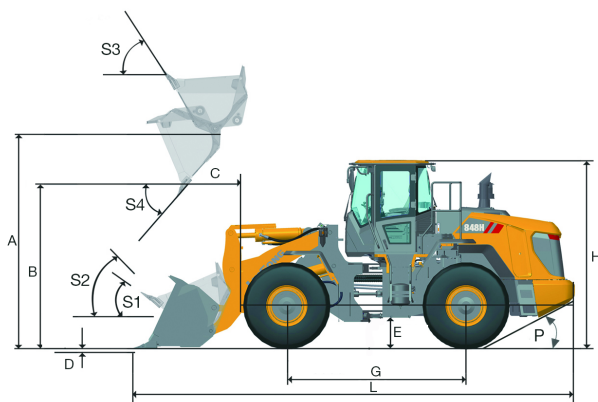
|                          |             |
|--------------------------|-------------|
| Steering Configuration   | Articulated |
| Steering Relief Pressure | 20.7 Mpa    |

## BRAKES

|                         |                           |
|-------------------------|---------------------------|
| Service Brake Type      | Wet discs Brake           |
| Service Brake Actuation | Full Hydraulic            |
| Parking Brake Type      | Drum                      |
| Parking Brake Actuation | Electro-hydraulic release |

## HYDRAULIC SYSTEM

|                          |        |
|--------------------------|--------|
| Main Pump Type           | Piston |
| Main Relief Pressure     | 21 Mpa |
| Raise                    | 4.8 s  |
| Dump Time                | 1.1 s  |
| Float Down Time          | 3.0 s  |
| Fastest Total Cycle Time | 8.9 s  |



## LOADER ARM PERFORMANCE WITH QUICK ATTACH BUCKET 3.0 m<sup>3</sup>

|  |          |
|--|----------|
| Tipping Load - Straight(ISO 14397-1:2007)        | 9,415 kg |
| Tipping Load - Full Turn(ISO 14397-1:2007)       | 8,328 kg |
| Bucket Breakout Force                            | 105 kN   |
| A Maximum Hinge Pin Height                       | 3,937 mm |
| B Dump Clearance at Full Height Discharge        | 2,676 mm |
| C Dump Reach at Full Height Discharge            | 1,198 mm |
| D Maximum Digging Depth, Bucket Level            | 70 mm    |
| S <sub>1</sub> Bucket Rollback at Ground Level   | 43°      |
| S <sub>2</sub> Bucket Rollback at Carry          | 48°      |
| S <sub>3</sub> Bucket Rollback at Maximum Height | 60°      |
| S <sub>4</sub> Maximum Dump Angle at Full Height | 45°      |

## BUCKET PERFORMANCE

|                  |                        |
|------------------|------------------------|
| Reference Bucket | 2.5-6.0 m <sup>3</sup> |
|------------------|------------------------|

## DIMENSIONS

|  |          |
|--|----------|
| E Ground Clearance                             | 366 mm   |
| G Wheelbase                                    | 3,050 mm |
| H Cab Height                                   | 3,310 mm |
| J Wheel Tread                                  | 2,050 mm |
| K Width Over Tires                             | 2,548 mm |
| L Length with Bucket Down                      | 7,929 mm |
| M Turn Angle, Either Side                      | 40°      |
| P Rear Angle of Departure                      | 28°      |
| R <sub>1</sub> Turning Radius, Bucket Carry    | 6,168 mm |
| R <sub>2</sub> Turning Radius, Outside of Tire | 5,460 mm |
| W Width Over Bucket                            | 2,920 mm |

## TIRES

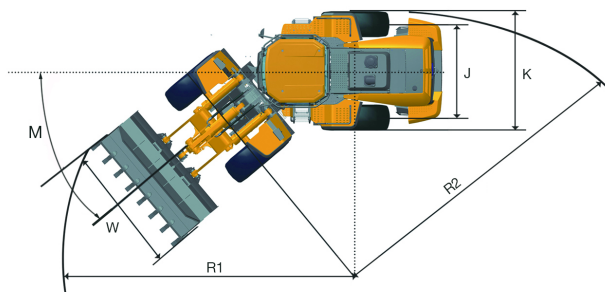
|           |               |
|-----------|---------------|
| Tire Size | 20.5R25 ★/L-3 |
|-----------|---------------|

## OPERATING WEIGHTS

|                  |           |
|------------------|-----------|
| Operating Weight | 14,860 kg |
|------------------|-----------|

## SERVICE CAPACITY

|                                   |       |
|-----------------------------------|-------|
| Fuel Tank                         | 240 L |
| Engine Oil                        | 18 L  |
| Cooling System                    | 33 L  |
| Hydraulic System                  | 180 L |
| Transmission and Torque Converter | 40 L  |
| Axle, Front                       | 36 L  |
| Axle, Rear                        | 42 L  |



Guangxi Liugong Machinery Co., Ltd.

No. 1 Liutai Road, Liuzhou, Guangxi 545007, PR China  
T: +86 772 3886124 E: overseas@liugong.com  
www.liugong.com

Specifications and designs are subject to change without notice. Machines shown may include optional equipment. Liugong standard and optional equipment may vary from region to region. Please consult your Liugong dealer for information specific to your area. Engine power kW is converted to metric hp in this file (1 kW=1.36 hp).

09/2022 Designed by LiuGong  
Replace the previous versions of 07/2019