



<b>Engine</b>	Cummins 6LT9.3
<b>Rated Power</b>	162 kW (217 hp / 220 ps) @ 2,000 rpm
<b>Net Power</b>	152 kW (204 hp / 207 ps) @ 2,000 rpm
<b>Operating Weight</b>	16,504 kg
<b>Standard Bucket Size</b>	3.0 m <sup>3</sup>
<b>Standard Breakout Force</b>	165 kN
<b>Standard Dump Clearance</b>	3,037 mm

# 855H WHEEL LOADER

# 855H SPECIFICATIONS >>>

## ENGINE

Emission Regulation	Tier 2 / Stage II
Manufacturer	Cummins
Model	6LT9.3
Rated Power	162 kW (217 hp / 220 ps) @ 2,000 rpm
Net Power	152 kW (204 hp / 207 ps) @ 2,000 rpm
Peak Torque	980 N · m @ 1,200 -1,400 rpm
Displacement	9.3 L
Number of Cylinder	6
Aspiration	Turbocharged

## TRANSMISSION

Transmission Type	Planetary type, power shift
Torque Converter	Double stage, four elements
Maximum Travel Speed, fwd	40 km/h
Maximum Travel Speed, rev	16.6 km/h
Number of Speed, fwd	2
Number of Speed, Rev	1

## AXLES

Differential Front Type	Conventional
Differential Rear Type	Conventional
Axle Oscillation	±10°

## STEERING

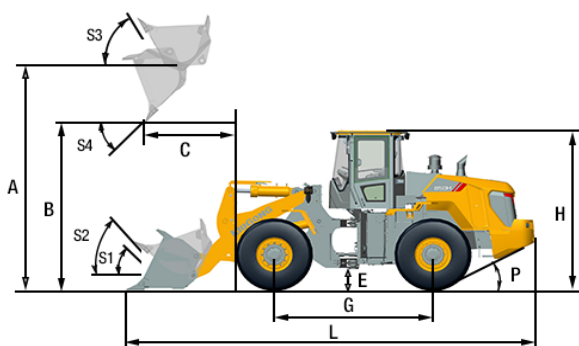
Steering Configuration	Articulated
Steering Relief Pressure	16.5 MPa

## BRAKES

Service Brake Type	Caliper disc brake
Service Brake Actuation	Air over hydraulic
Parking Brake Type	Drum
Parking Brake Actuation	Mechanical

## HYDRAULIC SYSTEM

Main Pump Type	Gear
Main Relief Pressure	18 MPa
Raise	5.8 s
Dump Time	1.5 s
Float Down Time	3.0 s
Fastest Total Cycle Time	10.3 s



## LOADER ARM PERFORMANCE WITH STANDARD BUCKET 3.0 m<sup>3</sup>

Tipping Load - Straight (ISO 14397-1:2007)	13,000 kg
Tipping Load - Full Turn (ISO 14397-1:2007)	11,100 kg
Bucket Breakout Force	165 kN
A Maximum Hinge Pin Height	4,114 mm
B Dump Clearance at Full Height Discharge	3,037 mm
C Dump Reach at Full Height Discharge	1,181 mm
D Maximum Digging Depth, Bucket Level	50 mm
S <sub>1</sub> Bucket Rollback at Ground Level	42.7°
S <sub>2</sub> Bucket Rollback at Carry	48°
S <sub>3</sub> Bucket Rollback at Maximum Height	62.6°
S <sub>4</sub> Maximum Dump Angle at Full Height	46°

## BUCKET PERFORMANCE

Reference Bucket	2.7-4.0 m <sup>3</sup>
------------------	------------------------

## DIMENSIONS

E Ground Clearance	431 mm
G Wheelbase	3,250 mm
H Cab Height	3,500 mm
J Wheel Tread	2,150 mm
K Width Over Tires	2,750 mm
L Length with Bucket Down	8,106 mm
M Turn Angle, Either Side	38°
P Rear Angle of Departure	30°
R <sub>1</sub> Turning Radius, Bucket Carry	6,783 mm
R <sub>2</sub> Turning Radius, Outside of Tire	6,086 mm
W Width Over Bucket	2,970 mm

## TIRES

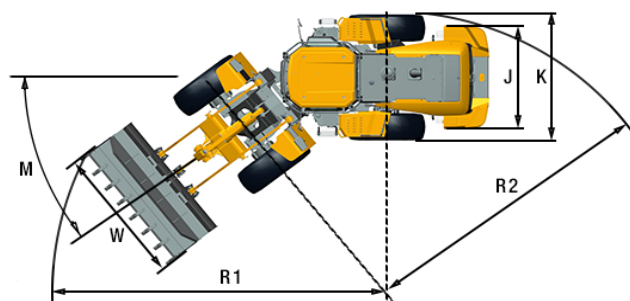
Tire Size	23.5-25 PR16 L-3 TT
-----------	---------------------

## OPERATING WEIGHT

Operating Weight	16,504 kg
------------------	-----------

## SERVICE CAPACITY

Fuel Tank	280 L
Engine Oil	26 L
Cooling System	40 L
Hydraulic System	152 L
Transmission and Torque Converter	45 L
Axles, Front/Rear	33 L / 33 L



Guangxi Liugong Machinery Co., Ltd.

No. 1 Liutai Road, Liuzhou, Guangxi 545007, PR China  
T: +86 772 3886124 E: overseas@liugong.com  
www.liugong.com

Specifications and designs are subject to change without notice. Machines shown may include optional equipment. Liugong standard and optional equipment may vary from region to region. Please consult your Liugong dealer for information specific to your area. Engine power kW is converted to horsepower (1 kW=1.3596 ps and 1 kW=1.3410 hp) in this file.

01/2024 Designed by LiuGong  
Replace the previous versions of 08/2022