



<b>Engine</b>	Cummins QSB7
<b>Rated Power</b>	124 kW (156 hp / 158 ps) @ 2,050 rpm
<b>Net Power</b>	114 kW (156 hp / 158 ps) @ 2,050 rpm
<b>Maximum Dig Depth</b>	6,760 mm
<b>Standard Bucket Capacity</b>	1.0 m <sup>3</sup>
<b>Operating Weight</b>	23,000 kg

# 923FN EXCAVATOR

# 923FN SPECIFICATIONS >>>

ENGINE	
Emission Regulation	CN 3 / Stage IIIA
Manufacturer	Cummins
Model	QSB7
Rated Power	124 kW (156 hp / 158 ps) @ 2,050 rpm
Net Power	114 kW (156 hp / 158 ps) @ 2,050 rpm
Peak Torque	658 N·m (550 lbf·ft) @ 1,200 rpm
Number of Cylinders	6
Displacement	6.7 L

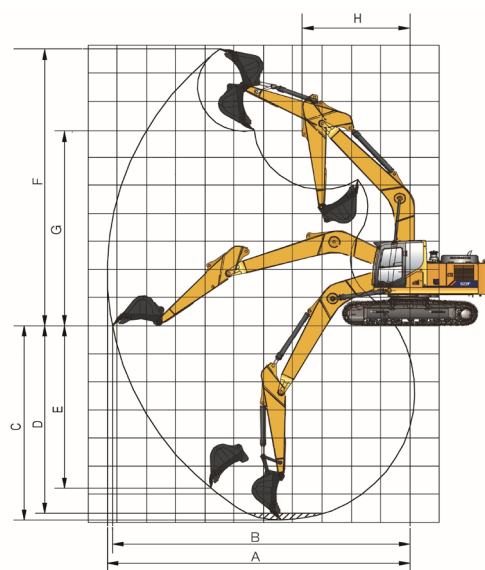
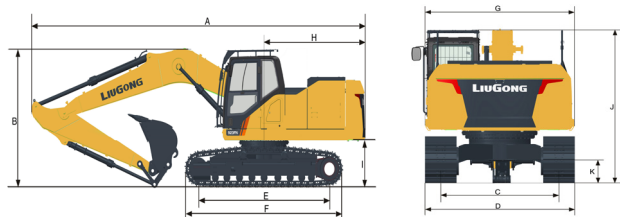
UNDERCARRIAGE	
Shoe Width	500 mm
Number of Shoes per Side	49
Number of Upper Rollers per Side	2
Number of Bottom Rollers per Side	8

BOOM & ARM	
Boom Length	5,710 mm
Arm Length	2,915 mm

BUCKET PERFORMANCE	
Std. Bucket Heaped Capacity (Referenced)	1.0 m <sup>3</sup>

SWING SYSTEM	
Swing Speed	10.5 rpm

DIMENSIONS	
A. Shipping Length	9,620 mm
B. Shipping Height	3,115 mm
C. Track Gauge	2,020 mm
D. Undercarriage Width	2,530 mm
E. Length to Center of Rollers	3,650 mm
F. Track Length	4,445 mm
G. Overall Width of Upper Structure	2,540 mm
H. Tail Swing Radius	2,840 mm
I. Counterweight Ground Clearance	1,040 mm
J. Overall Height of Cab	2,980 mm
K. Min. Ground Clearance	470 mm



WORKING RANGE	
A. Max. Digging Reach	9,890 mm
B. Max. Digging Reach on Ground	9,720 mm
C. Max. Digging Depth	6,760 mm
D. Max. Digging Depth, 2.5 m Level	6,550 mm
E. Max. Vertical Wall Digging Depth	5,140 mm
F. Max. Cutting Height	9,750 mm
G. Max. Dumping Height	7,030 mm
H. Min. Front Swing Radius	3,150 mm
Bucket Digging Force (ISO)	152.5 kN
Arm Digging Force (ISO)	105 kN

TRACK DRIVE	
Maximum Travel Speed	5.3 km/h
Drawbar Pull	220 kN

SERVICE CAPACITIES	
Fuel Tank	320 L
Engine Oil	25 L
Cooling System	25 L
Hydraulic Reservoir	110 L
Hydraulic System Total	300 L

HYDRAULIC SYSTEM	
Main Pumps Total Flow	2x224 L/min
Relief Pressure, main	34.3 MPa
Relief Pressure, boost	37.3 MPa

Guangxi Liugong Machinery Co., Ltd.

No. 1 Liutai Road, Liuzhou, Guangxi 545007, PR China  
T: +86 772 3886124 E: overseas@liugong.com  
www.liugong.com

03/2023 Designed by LiuGong

Specifications and designs are subject to change without notice. Machines shown may include optional equipment. LiuGong standard and optional equipment may vary from region to region. Please consult your LiuGong dealer for information specific to your area. Engine power kW is converted to metric hp in this file (1 kW=1.34 hp).